

# SUSPENSION - REAR

ABC123

Entire Article  
2000 Chevrolet Camaro

## ARTICLE BEGINNING

2000-01 SUSPENSION  
Rear - "F" Body

## MODEL IDENTIFICATION

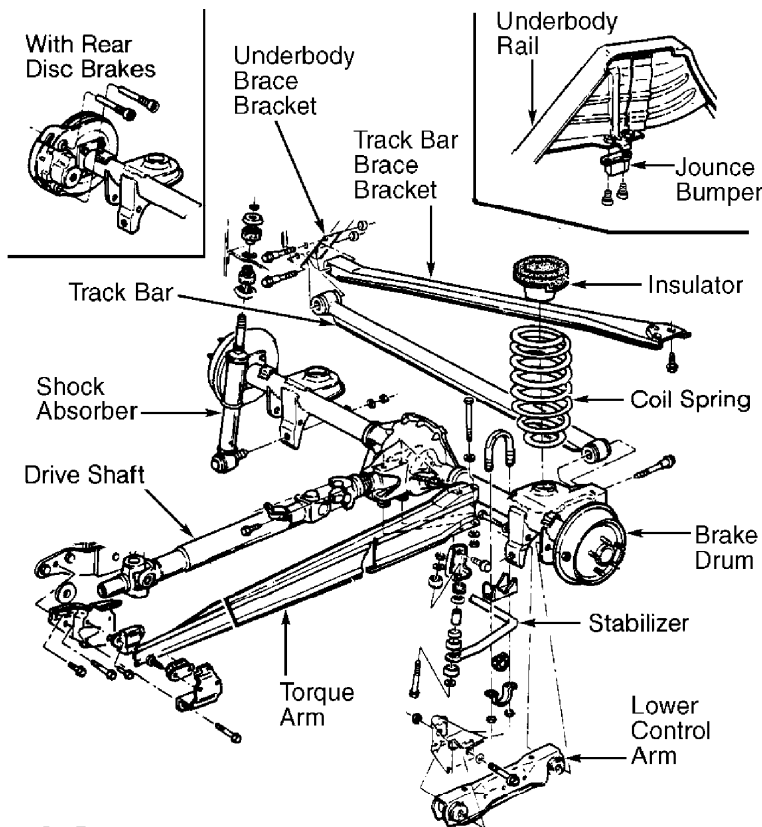
### MODEL IDENTIFICATION

AAAAAAAAAAAAAAAAAAAAAAAAAAAAAAAAAAAAAAAAAAAAAAAAAAAAAAAAAAAAAAAAAAAA  
Body Style Model s

"F" ..... Camaro & Firebird  
AAAAAAAAAAAAAAAAAAAAAAAAAAAAAAAAAAAAAAAAAAAAAAAAAAAAAAAAAAAAAAAAAAAA

## DESCRIPTION

Coil springs bear weight of vehicle. See Fig. 1. Lower control arms, a track bar and a track bar brace maintain a geometrical relationship between the axle housing and frame. A longitudinal torque arm connects differential to transmission. Shock absorbers are attached between the frame and axle housing.



G93E39499

Fig. 1: Exploded View Of Rear Suspension  
Courtesy of General Motors Corp.

## SUSPENSION - REAR

ABC123

Entire Article  
2000 Chevrolet Camaro

### ADJUSTMENTS & INSPECTION

#### WHEEL ALIGNMENT

NOTE: See appropriate SPECIFICATIONS & PROCEDURES article in WHEEL ALIGNMENT.

#### RIDE HEIGHT

NOTE: See appropriate SPECIFICATIONS & PROCEDURES article in WHEEL ALIGNMENT.

### REMOVAL & INSTALLATION

#### SHOCK ABSORBERS

##### Removal

CAUTION: Support axle housing before removing upper shock absorber mounting nut. If mounting nut is removed and housing is not supported, housing will drop causing severe costly damage to brakelines, track bar, drive shaft and torque arm.

Fold down seat back frame assembly. Remove quarter trim panel. Pull back carpeting. Raise vehicle by frame enough to access rear axle assembly and vehicle interior. Support vehicle. Support rear axle housing. Disconnect shock absorber from upper mount. Disconnect shock absorber from lower mount. Remove shock absorber.

##### Installation

Connect shock absorber to lower mount. Tighten nut to specification. See TORQUE SPECIFICATIONS. Lower vehicle to align shock absorber with upper mount hole. DO NOT allow shaft to turn when tightening upper nut. To complete installation, reverse removal procedure.

#### COIL SPRINGS & INSULATORS

##### Removal

CAUTION: If corrosion protection coating on coil springs is chipped or damaged, replace coil spring.

Raise and support vehicle by frame. Support rear axle housing using adjustable lifting device. Disconnect shock absorber from lower mount. See Fig. 1. Lower axle housing assembly. DO NOT damage brake hose. Remove upper insulator and spring.

##### Installation

Install spring onto lower spring seat. Ensure end of coil at

## SUSPENSION - REAR

ABC123

Entire Article  
2000 Chevrolet Camaro

Lower end of spring is facing forward. To complete installation, reverse removal procedure. Tighten nuts to specification. See TORQUE SPECIFICATIONS.

### LOWER CONTROL ARM

#### Removal

NOTE: To ease servicing, remove and install one control arm at a time. This will prevent rear axle from rolling or slipping.

Raise and support vehicle by frame. Support axle housing to relieve tension on control arm bolts. Disconnect lower control arm from axle housing. Disconnect lower control arm from body, and remove lower control arm.

#### Bushing Replacement

Install Bushing Receiver (J-21474-5) over flanged side of bushing. Using a arbor press, place large outside diameter of Bushing Remover (J-21474-23) in contact with outside diameter of outer sleeve in order to force bushing out of lower control arm.

#### Installation

Install Bushing Receiver over flanged side of bushing. Install bushing into position using Front and Rear Bushing Installer (J-21474-20). To complete installation, reverse removal procedure. Tighten lower control arm bolts with vehicle at curb height (suspension loaded). Tighten fasteners to specification. See TORQUE SPECIFICATIONS.

### TRACK BAR & BRACE

#### Removal

Raise and support vehicle by frame. Support axle housing assembly. Disconnect track bar from left end of axle housing. See Fig. 1. Disconnect track bar from right underbody brace bracket. Remove track bar. If necessary, remove track bar brace.

#### Installation

Install all components, partially tightening fasteners. Tighten all fasteners to specification. See TORQUE SPECIFICATIONS.

### TORQUE ARM

#### Removal

Raise and support vehicle by frame. Support rear axle using adjustable lifting device. Disconnect torque arm from 2-piece drive shaft (if equipped). Disconnect torque arm from axle housing. Disconnect torque arm brackets from transmission, and remove torque arm.

#### Installation

**SUSPENSION - REAR**

**ABC123**

**Entire Article**  
2000 Chevrolet Camaro

To install, reverse removal procedure. DO NOT fully tighten fasteners until all components are in place. Tighten fasteners to specification. See TORQUE SPECIFICATIONS.

**STABILIZER BAR**

Removal

Raise and support vehicle by frame. Disconnect ends of stabilizer bar from body brackets. Disconnect stabilizer bar from axle housing, and remove stabilizer bar.

Installation

To install, reverse removal procedure. Slit in bushings must face rear of vehicle. Bend in stabilizer bar must face down. Tighten fasteners to specification. See TORQUE SPECIFICATIONS.

**TORQUE SPECIFICATIONS**

TORQUE SPECIFICATIONS

AAAAAAAAAAAAAAAAAAAAAAAAAAAAAAAAAAAAAAAAAAAAAAAAAAAAAAAAAAAAAAAAAAAA  
Application Ft. Lbs. (N.m)

Lower Control Arm	
Bol t .....	80 (108)
Nut .....	60 (81)
Shock Absorber	
Lower Mount Nut .....	66 (89)
Upper Mount Nut .....	13 (18)
Stabilizer Bar	
At Axle Housing (Nut) .....	18 (24)
At Body Bracket (Nut) .....	16 (22)
Body Bracket-To-Body Bol t .....	17 (23)
Torque Arm	
At Axle Housing .....	96 (130)
At Transmission	
Bol t	
Large Diameter .....	37 (50)
Small Diameter .....	20 (27)
Nut .....	30 (41)
At 2-Piece Drive Shaft .....	37 (50)
Track Bar	
At Axle Housing (Nut) .....	61 (83)
At Brace Bracket (Nut) .....	61 (83)
Track Bar Brace	
At Body (Bol t) .....	35 (47)
At Brace Bracket (Nut) .....	61 (83)
Wheel Lug Nuts .....	100 (136)
AAAAAAAAAAAAAAAAAAAAAAAAAAAAAAAAAAAAAAAAAAAAAAAAAAAAAAAAAAAAAAAAAAAA	

**END OF ARTICLE**