

COOLING SYSTEM SPECIFICATIONS & DRIVE BELT ROUTING

ABC123

Entire Article
2000 Chevrolet Camaro

ARTICLE BEGINNING

2000-01 ENGINE COOLING
General Motors Specifications - All Models

MODEL IDENTIFICATION

MODEL IDENTIFICATION - CARS

AA

Body Code (1)	Model
"C"	Park Avenue
"E"	El dorado
"F"	Camaro & Firebird
"G"	Aurora & Riviera
"H"	Bonneville, & LeSabre
"J"	Cavalier & Sunfire
"K"	DeVille & Seville
"M"	Metro
"N"	Alero, Grand Am & Malibu
"S"	Prizm
"V"	Catera
"W"	Century, Grand Prix, Impala, Intrigue, Lumina, Monte Carlo & Regal
"Y"	Corvette
"Z"	Saturn

(1) - Vehicle body code is fourth character of VIN.

AA

MODEL IDENTIFICATION - TRUCKS

AA

Series (1)	Model
"A"	2WD Aztek
"B"	4WD Aztek
"C"	2WD Pickup, Sierra, Silverado, Suburban, Tahoe & Yukon
"E"	2WD Tracker
"G"	Cutaway, Express, G-Van & Savana
"J"	4WD Tracker
"K"	4WD Pickup, Sierra, Silverado, Suburban, Tahoe, Yukon & AWD Escalade
"L"	AWD Astro & Safari
"M"	2WD Astro & Safari
"S"	2WD Blazer, Envoy, Jimmy, Pickup & Sonoma
"T"	4WD Blazer, Bravada, Envoy, Jimmy, Pickup & Sonoma
"U"	Montana, Silhouette & Venture

(1) - Vehicle series is fifth character of VIN.

AA

SPECIFICATIONS

COOLING SYSTEM SPECIFICATIONS & DRIVE BELT ROUTING

ABC123

Entire Article
2000 Chevrolet Camaro

CAUTION: When battery is disconnected, vehicle computer and memory systems may lose memory data. Driveability problems may exist until computer systems have completed a relearn cycle. See COMPUTER RELEARN PROCEDURES article in GENERAL INFORMATION before disconnecting battery.

COOLING SYSTEM SPECIFICATIONS

COOLING SYSTEM SPECIFICATIONS - CARS

AA
Application Specifications

Coolant Replacement Interval

Except Metro & Prizm	60 Months Or 150,000 Miles
Metro	30 Months Or 30,000 Miles
Prizm	24 Months Or 30,000 Miles

Coolant Capacity (1)

1.0L	3.9 Qts. (4.1L)
1.3L	
M/T	4.9 Qts. (4.4L)
A/T	5.0 Qts. (4.7L)
1.8L	
Prizm	
A/T	6.0 Qts. (5.7L)
M/T	6.1 Qts. (5.8L)
1.9L	7.0 Qts. (6.6L)
2.2L	
"J" Body	9.6 Qts. (9.1L)
"Z" Body	7.4 Qts. (7.0L)
2.4L	
"J" Body	9.9 Qts. (9.4L)
"N" Body	11.3 Qts. (10.7L)
3.0L	
Except "Z" Body	10.0 Qts. (9.5L)
"Z" Body	7.8 Qts. (7.3L)
3.1L	
"N" Body	13.1 Qts. (12.4L)
"W" Body	11.0 Qts. (10.4L)
3.4L	13.6 Qts. (12.9L)
3.5L	10.0 Qts. (9.5L)
3.8L Except "F", "H" & "W" Bodies	13.0 Qts. (12.3L)
"F" Body	
A/T	12.3 Qts. (11.6L)
M/T	12.5 Qts. (11.8L)
"H" Body	10 Qts. (9.5L)
"W" Body	5.3 Qts. (5.0L)
4.0L	13.0 Qts. (12.3L)
4.6L Except "E" & "K" Body	10.7 Qts. (10.0L)
"E" & "K" Bodies	12.5 Qts. (11.8L)
5.7L	
"F" Body	
A/T	15.1 Qts. (14.3L)
M/T	15.3 Qts. (14.5L)
"Y" Body	

COOLING SYSTEM SPECIFICATIONS & DRIVE BELT ROUTING

ABC123

Entire Article
2000 Chevrolet Camaro

A/T	12.3 Qts. (11.6L)
M/T	12.6 Qts. (11.9L)
Pressure Cap	
"F" Body	18 psi
Metro	13 psi
Pri zm	13 psi
Saturn	15 psi
All Others	(2) 15 psi
Thermostat	
Metro	
Starts To Open	190-197øF (88-92øC)
Fully Opens	212-221øF (100-105øC)
Pri zm	
Starts To Open	176-183øF (80-84øC)
Fully Opens	203øF (95øC)
Saturn	
Starts To Open	182-190øF (83-88øC)
Fully Open	212-222øF (100-106øC)
All Others	
Starts To Open	189øF (87øC)
Fully Opens	207øF (97øC)

(1) - Specification is approximate and includes heater capacity.

(2) - Or specification stamped on cap.

AA

COOLING SYSTEM SPECIFICATIONS - TRUCKS

AA

Application Specification

Coolant Replacement Interval

Except Tracker	60 Months Or 150,000 Miles
Tracker	30 Months Or 30,000 Miles

Pressure Cap

Except Tracker	15 psi
Tracker	13 psi

Thermostat Opens

Except Tracker	
Starts	188øF (87øC)
Fully Open	206øF (97øC)

Tracker	
Starts	179øF (82øC)
Fully Open	203øF (95øC)

Coolant Capacity (1)

1.6L	6.9 Qts. (6.5L)
2.0L	5.8 Qts. (5.5L)

2.2L	
A/T	9.7 Qts. (9.2L)
M/T	9.9 Qts. (9.4L)
2.5L	8.5 Qts. (8.0L)

3.4L	
Standard	
With Rear Heater	11.9 Qts. (11.3L)
Without Rear Heater	9.6 Qts. (9.0L)

COOLING SYSTEM SPECIFICATIONS & DRIVE BELT ROUTING

ABC123

Entire Article

2000 Chevrolet Camaro

Heavy Duty		
With Rear Heater	13.2 Qts. (12.5L)
Without Rear Heater	10.5 Qts. (9.9L)
4. 3L		
"C" & "K" Series		
A/T	12.7 Qts. (12.0L)
M/T	13.0 Qts. (12.3L)
"G" Series		
With Rear Heater	14.0 Qts. (13.2L)
Without Rear Heater	11.0 Qts. (10.5L)
"L" & "M" Series		
With Rear Heater	16.5 Qts. (15.5L)
Without Rear Heater	14.3 Qts. (12.8L)
"S" & "T" Series		
A/T	11.7 Qts. (11.1L)
M/T	11.9 Qts. (11.3L)
4. 8L		
A/T	13.4 Qts. (12.7L)
M/T	13.7 Qts. (13.0L)
With Rear Heater	15.8 Qts. (15.0L)
Without Rear Heater	14.4 Qts. (13.7L)
5. 0L		
With A/C	20.0 Qts. (18.9L)
Without A/C	17.0 Qts. (16.0L)
5. 3L		
With A/C	14.9 Qts. (14.1L)
With Rear A/C	15.8 Qts. (15.0L)
Without A/C	13.4 Qts. (12.7L)
5. 7L		
Standard		
With A/C	20.0 Qts. (19.0L)
Without A/C	17.5 Qts. (16.6L)
Heavy Duty		
With A/C	27.0 Qts. (25.5L)
Without A/C	26.4 Qts. (25.0L)
6. 0L		
A/T		
With Oil Cooler	14.4 Qts. (13.6L)
Without Oil Cooler	14.8 Qts. (14.0L)
M/T		
With Oil Cooler	14.8 Qts. (14.0L)
Without Oil Cooler	15.2 Qts. (14.4L)
6. 5L	27.5 Qts. (26.0L)
6. 6L		
A/T	20.3 Qts (19.2L)
M/T	20.7 Qts. (19.6L)
7. 4L		
Standard		
With A/C	27.5 Qts. (26.0L)
Without A/C	25.0 Qts. (23.7L)
Heavy Duty		
With A/C	28.5 Qts. (27.0L)
Without A/C	26.4 Qts. (25.0L)
8. 1L		

COOLING SYSTEM SPECIFICATIONS & DRIVE BELT ROUTING

ABC123

Entire Article
2000 Chevrolet Camaro

A/T 20.7 Qts. (19.6L)
M/T 21.1 Qts. (20.0L)

(1) - Specification is approximate and includes heater capacity.
AA

BELT ADJUSTMENT & ROUTING

BELT ADJUSTMENT

BELT ADJUSTMENT - CARS
AA
Appl i cati on Speci fi cati on

Serpentine Belt (1) 30-50 Lbs. (13.6-22.7 kg.)
Defl ecti on @ 22 Lbs. (10.0 kg.)

Except Serpentine Belt
Metro
A/C Compressor & Power Steering
Pump28-.35" (7.0-9.0 mm)
Generator24-.31" (6-8 mm)

(1) - Serpentine belt is automatically adjusted by tensioner.
Tension is checked with belt tension gauge. If tension is not
as specified, check belt length and tensioner operating range.
Replace belt or tensioner as necessary.
AA

BELT ADJUSTMENT - TRUCKS
AA
Appl i cati on (1) Lbs. (kg)

All Models (1)

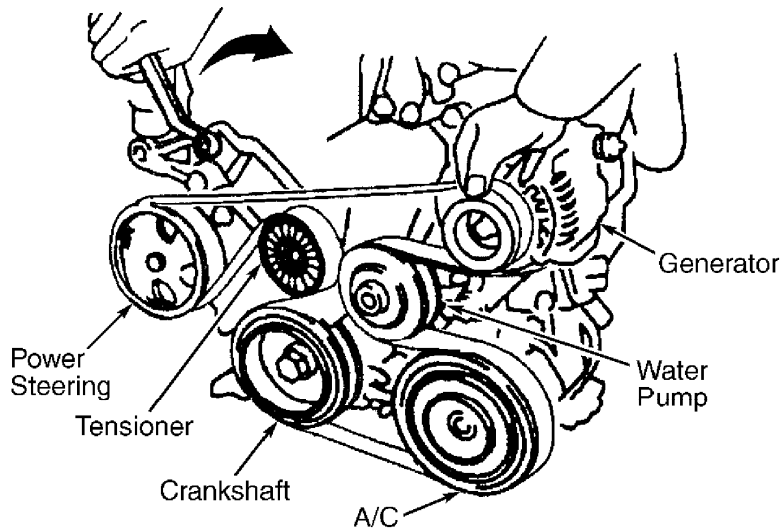
(1) - Serpentine belt tension is maintained automatically
by a spring-tensioned idler pulley. No adjustment is
necessary.
AA

SERPENTINE BELT ROUTING & ALIGNMENT

NOTE: For serpentine belt routing, see underhood label or refer to
appropriate illustrations. See Figs. 1-24.

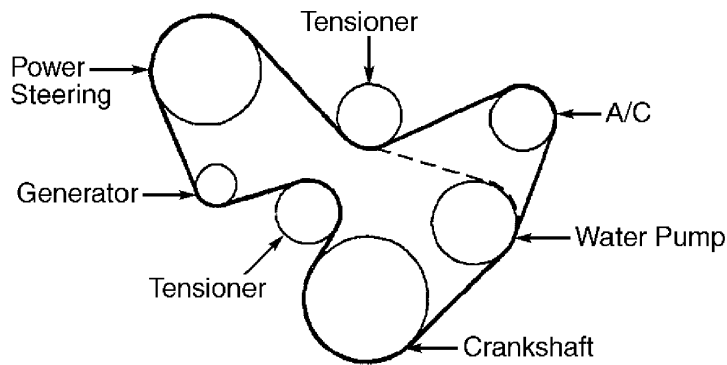
ABC123

Entire Article
2000 Chevrolet Camaro



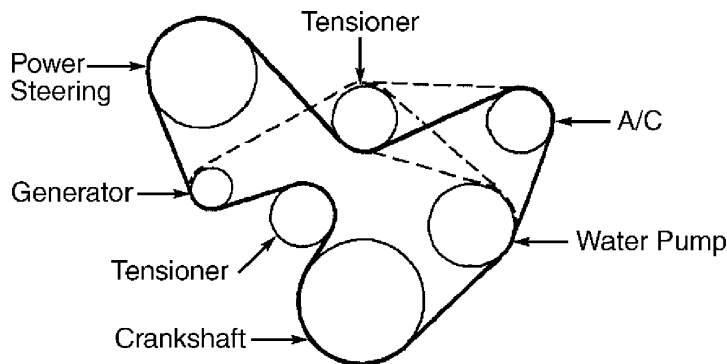
G00005655

Fig. 1: Serpentine Belt Routing (1.8L Prizm)
Courtesy of General Motors Corp.



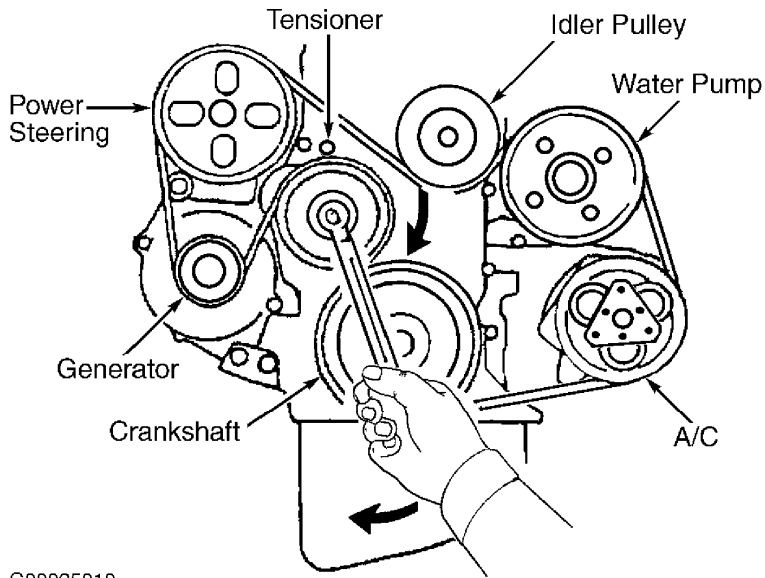
G00005640

Fig. 2: Serpentine Belt Routing (1.9L Saturn DOHC)
Courtesy of General Motors Corp.



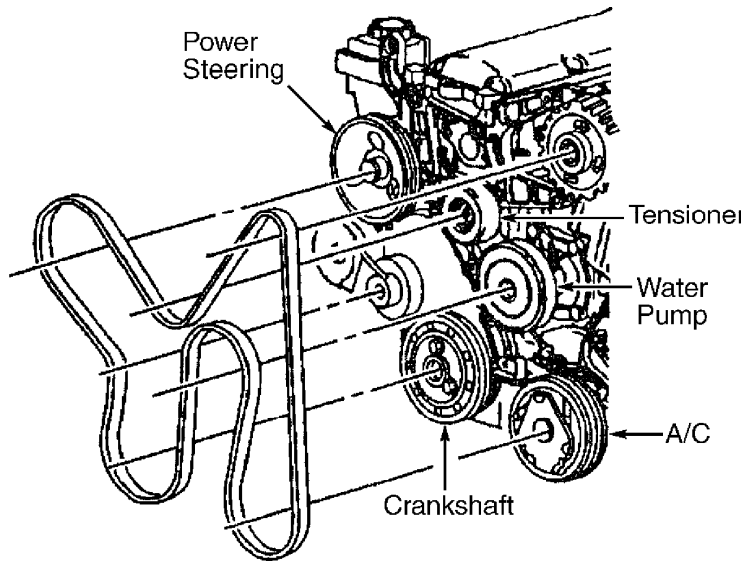
G00005639

Fig. 3: Serpentine Belt Routing (1.9L Saturn SOHC)
Courtesy of General Motors Corp.



G00025010

Fig. 4: Serpentine Belt Routing (2.0L Tracker)
Courtesy of General Motors Corp.

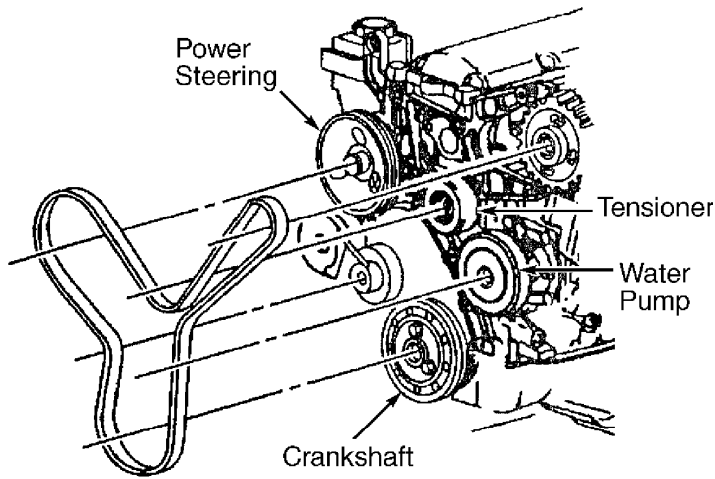


G00005656

Fig. 5: Serpentine Belt Routing (2.2L "J" Body - With A/C)
Courtesy of General Motors Corp.

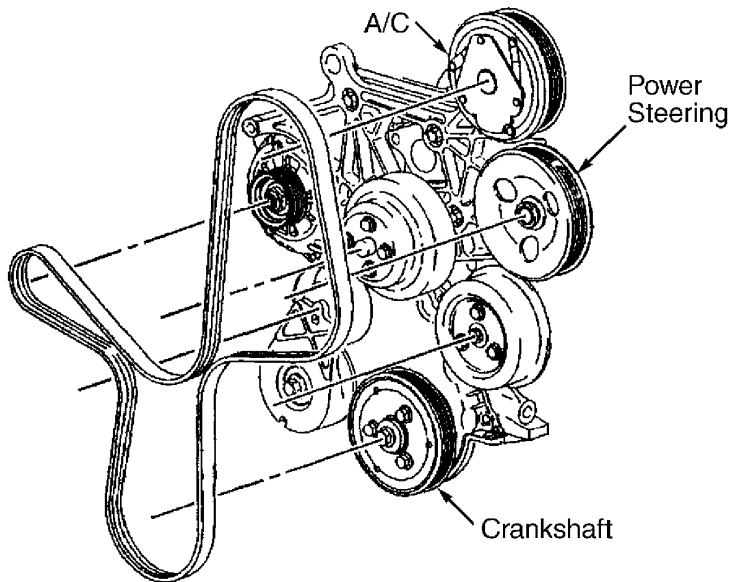
ABC123

Entire Article
2000 Chevrolet Camaro



G00005657

Fig. 6: Serpentine Belt Routing (2.2L "J" Body - Without A/C)
Courtesy of General Motors Corp.

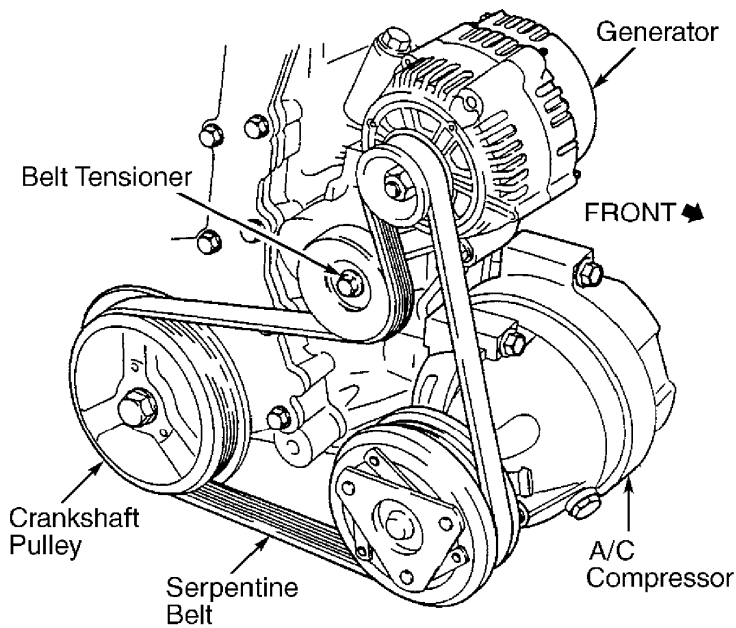


G00005659

Fig. 7: Serpentine Belt Routing (2.2L "S" Series)
Courtesy of General Motors Corp.

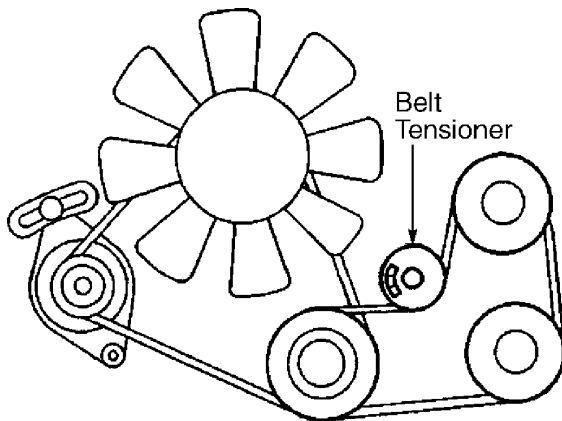
ABC123

Entire Article
2000 Chevrolet Camaro



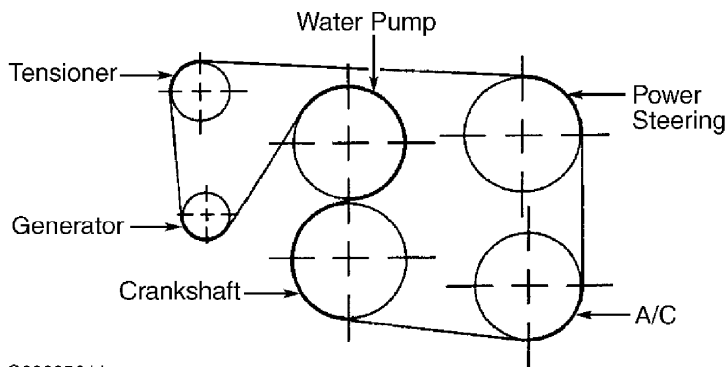
G50G17018

Fig. 8: Serpentine Belt Routing (2.4L "J" & "N" Bodies)
Courtesy of General Motors Corp.



G00021034

Fig. 9: Serpentine Belt Routing (2.5L Tracker)
Courtesy of General Motors Corp.

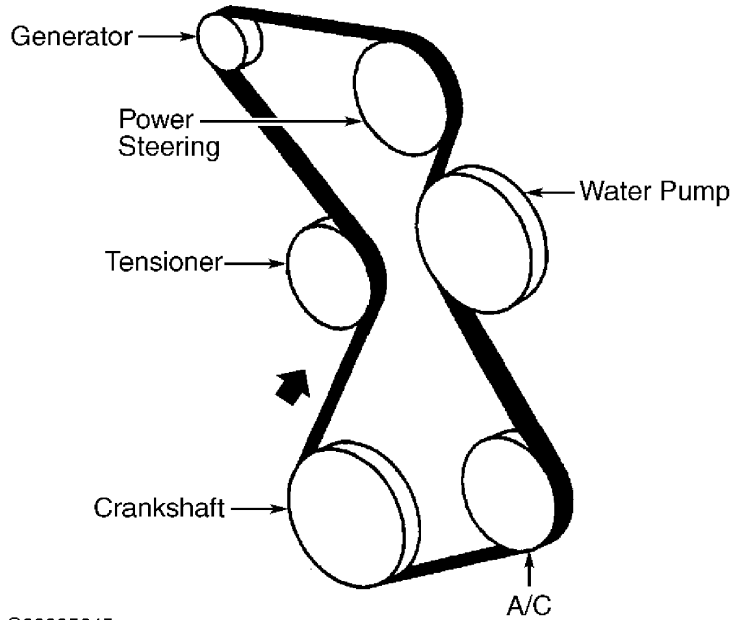


G00005644

Fig. 10: Serpentine Belt Routing (3.0L "V" Body)
Courtesy of General Motors Corp.

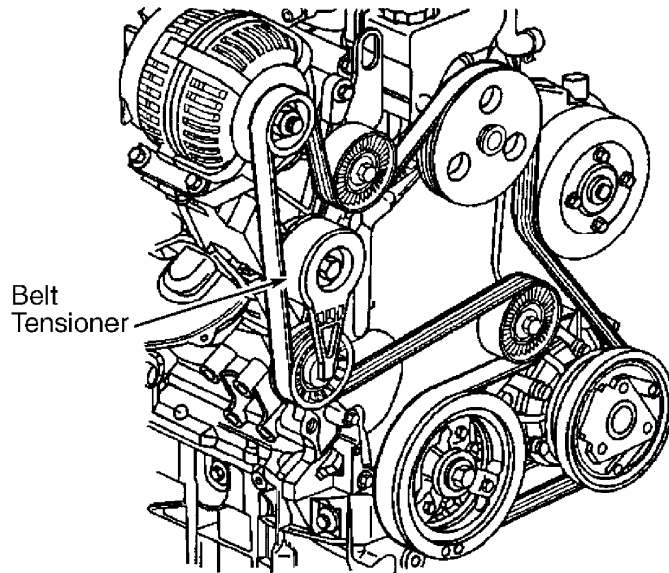
ABC123

Entire Article
2000 Chevrolet Camaro



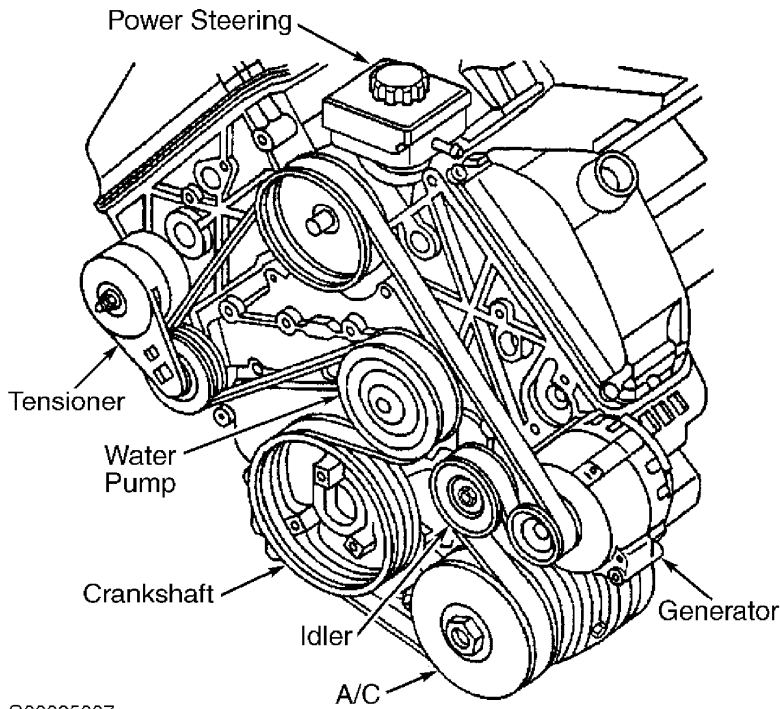
G00005645

Fig. 11: Serpentine Belt Routing (3.1 "N" & "W" Bodies)
Courtesy of General Motors Corp.



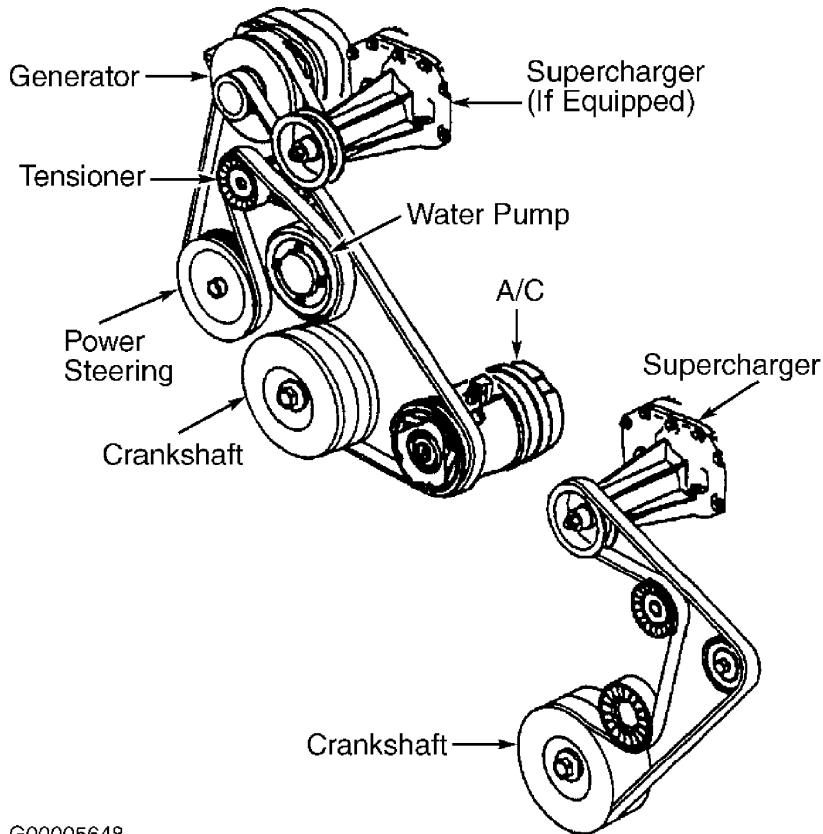
G00021035

Fig. 12: Serpentine Belt Routing (3.4L "N", "W" & "Z" Bodies, & "A", "B" & "U" Series)
Courtesy of General Motors Corp.



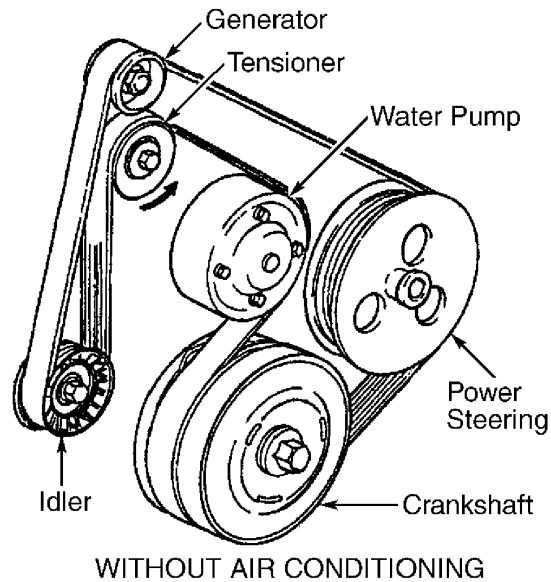
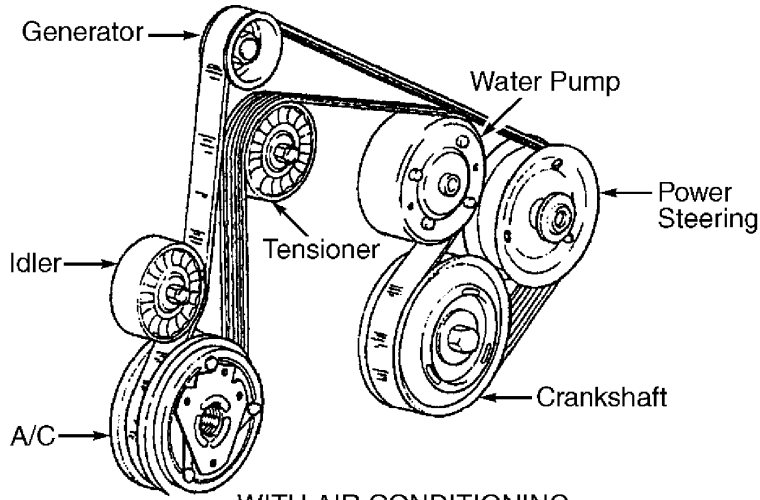
G00025007

Fig. 13: Serpentine Belt Routing (3.5L "N" & "W" Bodies)
Courtesy of General Motors Corp.



G00005648

Fig. 14: Serpentine Belt Routing (3.8L "C", "G", "H" & "W" Bodies)
Courtesy of General Motors Corp.



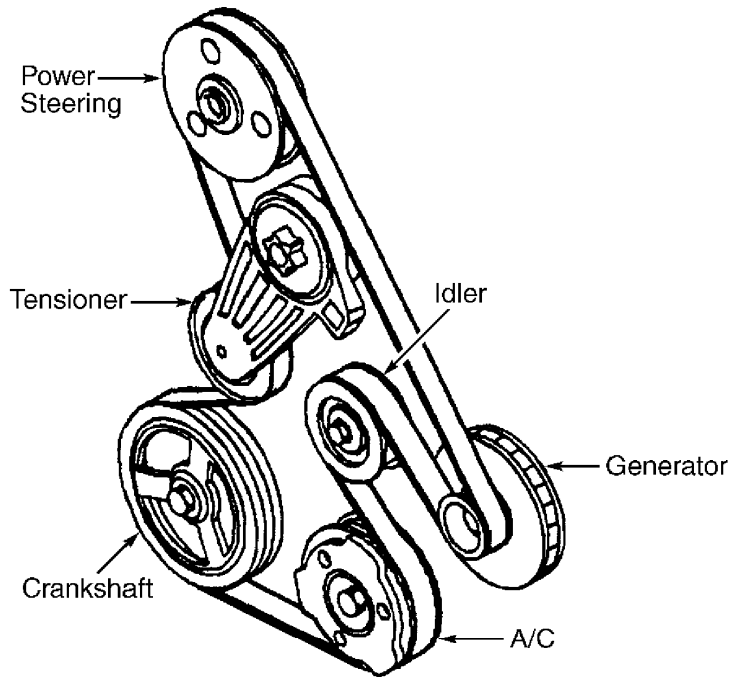
G00005649

Fig. 15: Serpentine Belt Routing (3.8L "F" Body)
Courtesy of General Motors Corp.

COOLING SYSTEM SPECIFICATIONS & DRIVE BELT ROUTING

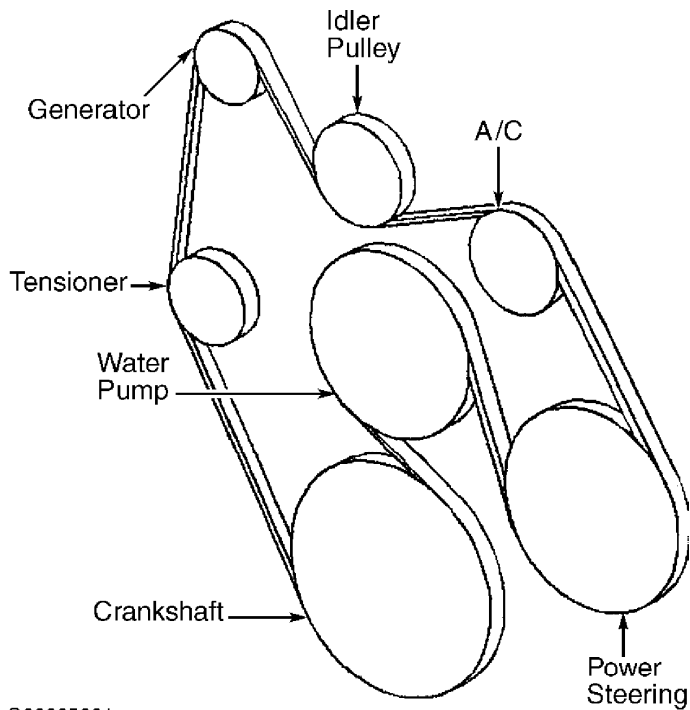
ABC123

Entire Article
2000 Chevrolet Camaro



G00005650

Fig. 16: Serpentine Belt Routing (4.0L "G" Body & 4.6L "E" & "K" Bodies)
Courtesy of General Motors Corp.

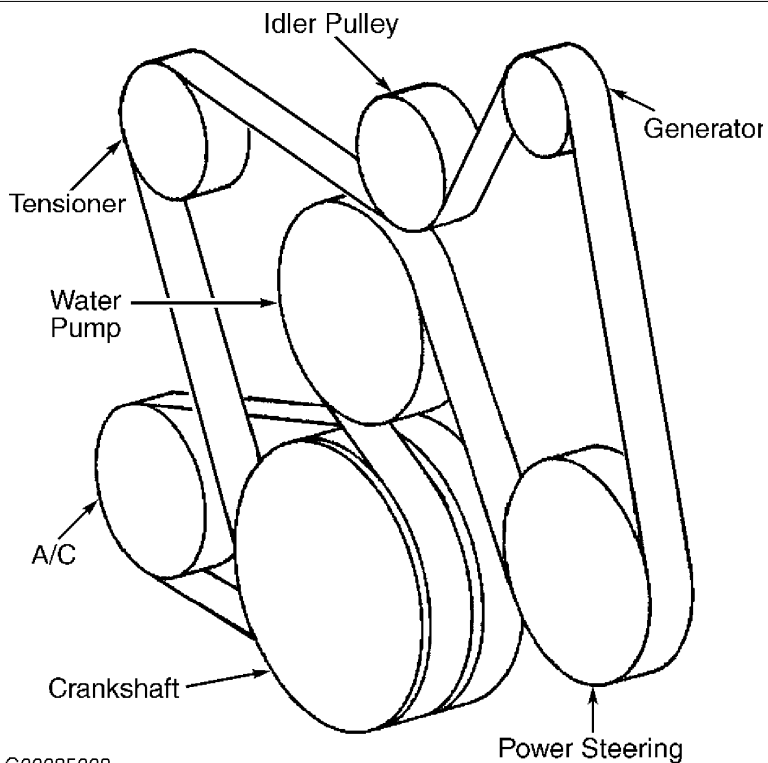


G00005661

Fig. 17: Serpentine Belt Routing (4.3L, 5.0L, 5.7L & 7.4L, "S" & "T" Series)
Courtesy of General Motors Corp.

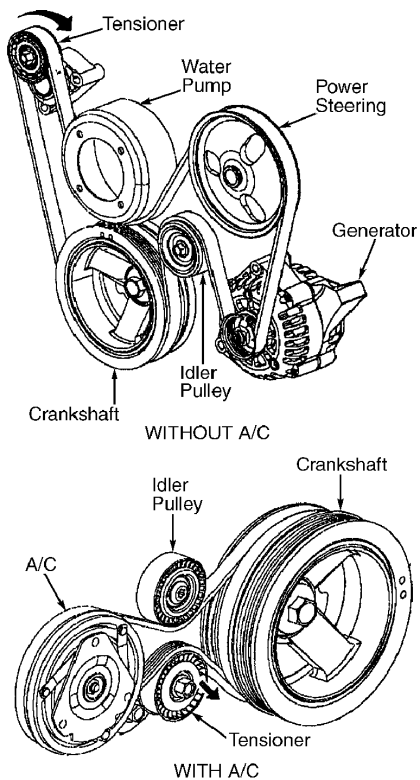
ABC123

Entire Article
2000 Chevrolet Camaro



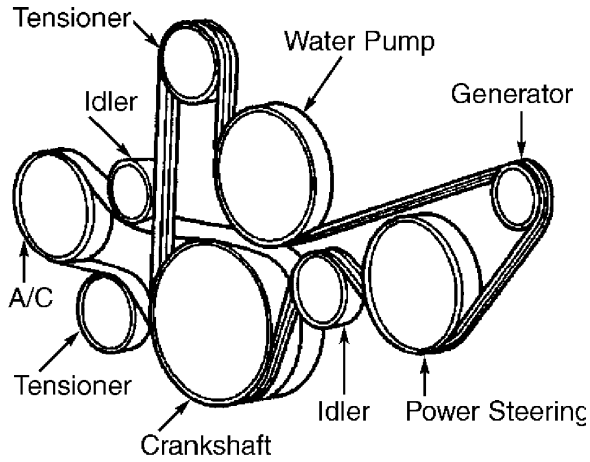
G00025008

Fig. 18: Serpentine Belt Routing (4.8L, 5.3L & 6.0L "C" & "K" Series)
Courtesy of General Motors Corp.



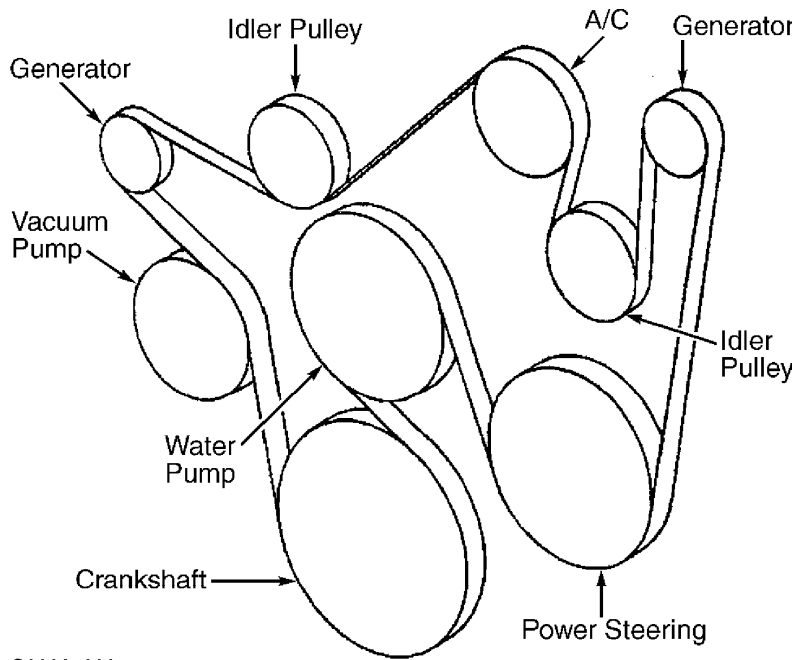
G00005658

Fig. 19: Serpentine Belt Routing (5.7L "F" Body)
Courtesy of General Motors Corp.



G00005654

Fig. 20: Serpentine Belt Routing (5.7L "Y" Body)
Courtesy of General Motors Corp.

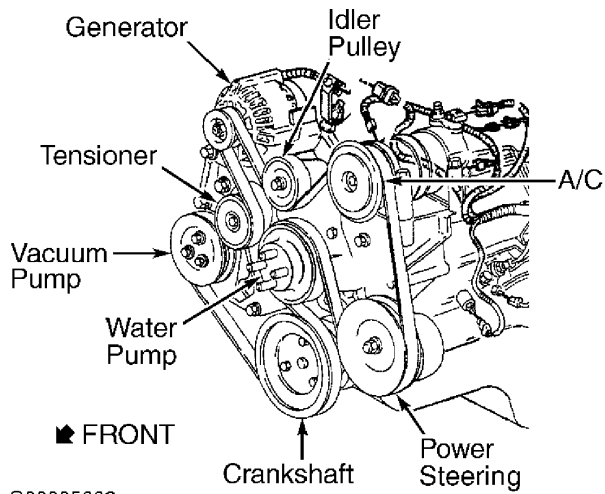


G00025009

Fig. 21: Serpentine Belt Routing (6.5L Turbo-Diesel "C", "G" & "K" Series With Dual Generators)
Courtesy of General Motors Corp.

ABC123

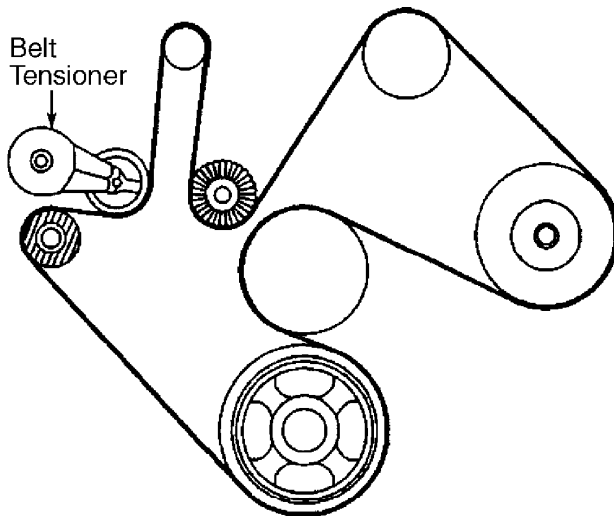
Entire Article
2000 Chevrolet Camaro



G00005662

Fig. 22: Serpentine Belt Routing (6.5L Turbo-Diesel "C", "G" & "K" Series Without Dual Generators)

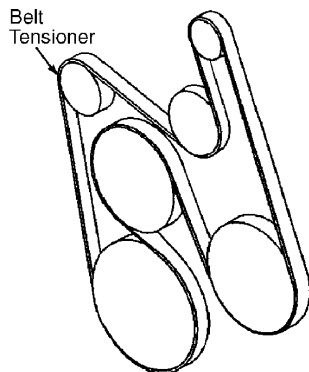
Courtesy of General Motors Corp.



G00021036

Fig. 23: Serpentine Belt Routing (6.6L Turbo-Diesel "C" & "K" Series)

Courtesy of General Motors Corp.



G00021037

Fig. 24: Serpentine Belt Routing (8.1L "C", "G" & "K" Series)

Courtesy of General Motors Corp.

COOLING SYSTEM SPECIFICATIONS & DRIVE BELT ROUTING

ABC123

Entire Article

2000 Chevrolet Camaro

A00024712

END OF ARTICLE